



## Dell UltraSharp 25 Monitor UP2516D



PremierColor coverage on this 25" monitor offers the ideal color space for every color professional.

### Vivid, accurate colors and broad coverage of professional color standards

Dell PremierColor offers color professionals the tools they need for color-critical projects.

- Enjoy working with precise, accurate colors, factory-calibrated for quick set-up right out of the box with a small  $\Delta E < 2$ .
- Wide coverage of color industry standards including 100% Adobe RGB<sup>2</sup>, 100% sRGB, 100% REC709, and 98% DCI-P3.
- Easy, user-enabled color adjustments plus extra precise calibration for custom palettes<sup>3</sup> available via Dell UltraSharp Color Calibration Solution software<sup>9</sup>.
- Excellent range of color gamut and depth plus SDK / API for customizing Dell UltraSharp Monitors to your preferred in-house system.

### Outstanding viewing experience

Ultra-thin bezels plus the crisp clarity of QHD resolution for an enhanced view of your work.

- Enjoy an almost seamless view with near-continual imagery across two or more monitors.
- Experience outstanding screen clarity with QHD resolution.
- Colors remain consistent across an ultra-wide viewing angle for a greater collaboration experience.
- Extensive digital connectivity including two HDMI 1.4/ MHL 2.0, four USB 3.0<sup>6</sup> ports, DisplayPort 1.2<sup>1</sup> (in)/ mini-DisplayPort, DisplayPort (out- for multiple monitor setup), and two USB 3.0 upstream (KVM) ports.

### Unmatched reliability

Comes with Dell's high reliability promise.

- Enjoy peace of mind from Dell's commitment to quality and customer satisfaction with the Premium Panel<sup>4</sup> Guarantee.
- Minimize downtime with Dell's 3-year Advanced Exchange Service<sup>7</sup>.
- Enjoy high reliability from the #1 monitor brand worldwide for two consecutive years\*.

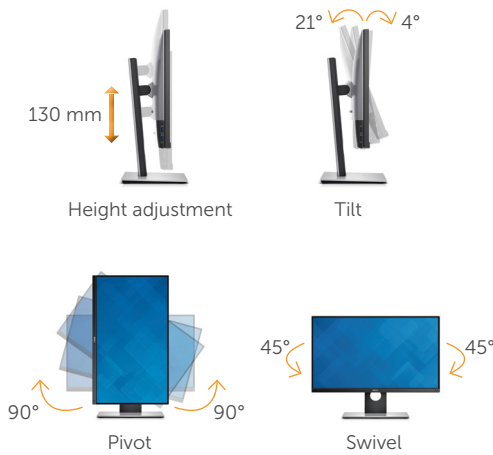


For more information visit  
[www.dell.com/monitors](http://www.dell.com/monitors)

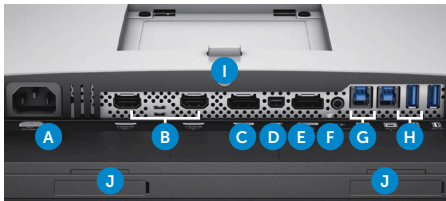
Thank you  
for making  
Dell Monitors

**#1**  
worldwide\*

Easily adjust the panel to your preferred viewing position.



### Connectors



- A** AC Power
- B** HDMI/MHL
- C** DisplayPort (in)
- D** Mini DisplayPort
- E** DisplayPort (out)
- F** Audio line-out
- G** USB upstream (enable KVM)
- H** USB downstream
- I** Stand lock
- J** Dell soundbar mounting slots



### What's in the box?

- Components**
- Monitor panel
  - Stand (riser and base)
- Cables**
- Power cable
  - Mini-DisplayPort to DisplayPort
  - USB 3.0 upstream
- Documentation**
- Color calibration factory report
  - Drivers and documentation media (CD)
  - Quick Setup Guide
  - Safety and regulatory information



## Dell UltraSharp 25 Monitor | UP2516D

Display	
Model number	UP2516D
Viewable image size (diagonal)	63.44 cm (25 inches)
Active display area	
Horizontal	552.96 mm (21.77 inches)
Vertical	311.04 mm (12.25 inches)
Maximum resolution	QHD 2560 x 1440 at 60 Hz
Aspect ratio	16:9
Pixel pitch	0.216 mm x 0.216 mm
Brightness (typical)	300 cd/m <sup>2</sup> (min to max)
Color gamut (typical)	100% AdobeRGB <sup>2</sup> , 100% sRGB, 100% REC709 and 98% DCI-P3 (delta E < 2)
Color depth	1.07 billion colors, 14-bit LUT
Contrast ratio (typical)	1,000:1 (typical)
Dynamic contrast ratio (typical)	2 Million:1 (DCR)
Viewing angle (typical) (vertical/horizontal)	178°/178°
Response time (typical)	Fast mode: 6 ms gray-to-gray Normal mode: 14 ms gray-to-gray
Panel technology, surface	In-plane switching
Backlight	LED
Bezel color	Black

Connectivity	
Connectors	HDMI 1.4/ MHL 2.0 x 2, USB 3.0 <sup>6</sup> x 4, DisplayPort 1.2 <sup>1</sup> (in)/ mini-DisplayPort, DisplayPort (out), USB 3.0 upstream (KVM) x 2.
Features	KVM (Keyboard, video, mouse), SDK
Dell soundbar (optional)	AC511

Design features	
Stand	Tilt, height adjustable stand, swivel, pivot clockwise and counter-clockwise, and built-in cable management
Security	Security lock slot (security lock not included)
VESA mounting support	100 mm x 100 mm

Power	
AC input voltage/frequency/current (typical)	100 to 240 VAC/50 or 60 Hz ± 3 Hz/1.6 A (maximum)
Power consumption (normal operation)	45W (typical)
Power consumption (active-off mode)	<0.3 W

Dimensions (with stand)	
Height (compressed ~ extended)	398.0 mm (15.67 inches) ~ 528.0 mm (20.79 inches)
Width	567.7 mm (22.35 inches)
Depth	200.3 mm (7.89 inches)

Weight	
Weight (panel only – no stand)	4.10 kg (9.04 lb)
Weight (with stand)	6.96 kg (15.34 lb)
Shipping weight	8.80 kg (19.40 lb)

Standard service plan	Environmental compliance
<ul style="list-style-type: none"> <li>• 3 years Advanced Exchange Service<sup>7</sup></li> <li>• Limited Hardware Warranty<sup>8</sup></li> <li>• Premium Panel Guarantee<sup>4</sup></li> </ul>	TCO Certified Displays, China Energy Label, WEEE, ErP(EuP) Standards, Korea E-Standby

<sup>1</sup> Dell PremierColor  
<sup>2</sup> Dell monitors are #1 Worldwide for 2 consecutive years. Source: NPD DisplaySearch Quarterly Desktop Monitor Shipment and Forecast Report (2013 and 2014). Ad#G15000115  
<sup>3</sup> For charging BC1.2 devices and also supports up to 2A when powering standard USB devices.  
<sup>4</sup> DisplayPort 1.2: Supports High Bit Rate 2 (HBR2) and Multi-stream transport (MST).  
<sup>5</sup> AdobeRGB color gamut is based on CIE1931 test standard.  
<sup>6</sup> Dell recommends optional X-Rite iDisplay Pro colorimeter for generating custom palettes. Optional and sold separately. You can purchase the X-Rite iDisplay Pro colorimeter at Dell.com (select countries) or from any X-Rite online reseller.  
<sup>7</sup> In the event you discover even one bright pixel on the Dell UltraSharp 25 Monitor during the Limited Hardware Warranty period, a free panel exchange is guaranteed. (see pixel panel info located on Dell.com web page for complete details): <http://support.dell.com/support/topics/global.aspx/support/kcs/document?docid=414288>

<sup>6</sup> USB 3.0 does not support graphics output. USB 3.0 rate of data transfer can only be achieved with a computer that supports USB 3.0.  
<sup>7</sup> Advanced Exchange Service: Replacement part/unit dispatched, if needed, following completion of phone/online diagnosis. Fee charged for failure to return defective unit. Availability varies. Other conditions apply.  
<sup>8</sup> For a copy of the Limited Hardware Warranty, write to Dell USA LP, Attn: Warranties, One Dell Way, Round Rock, TX 78682 or see [dell.com/warranty](http://dell.com/warranty).  
<sup>9</sup> Available for download from [www.Dell.com/support](http://www.Dell.com/support).